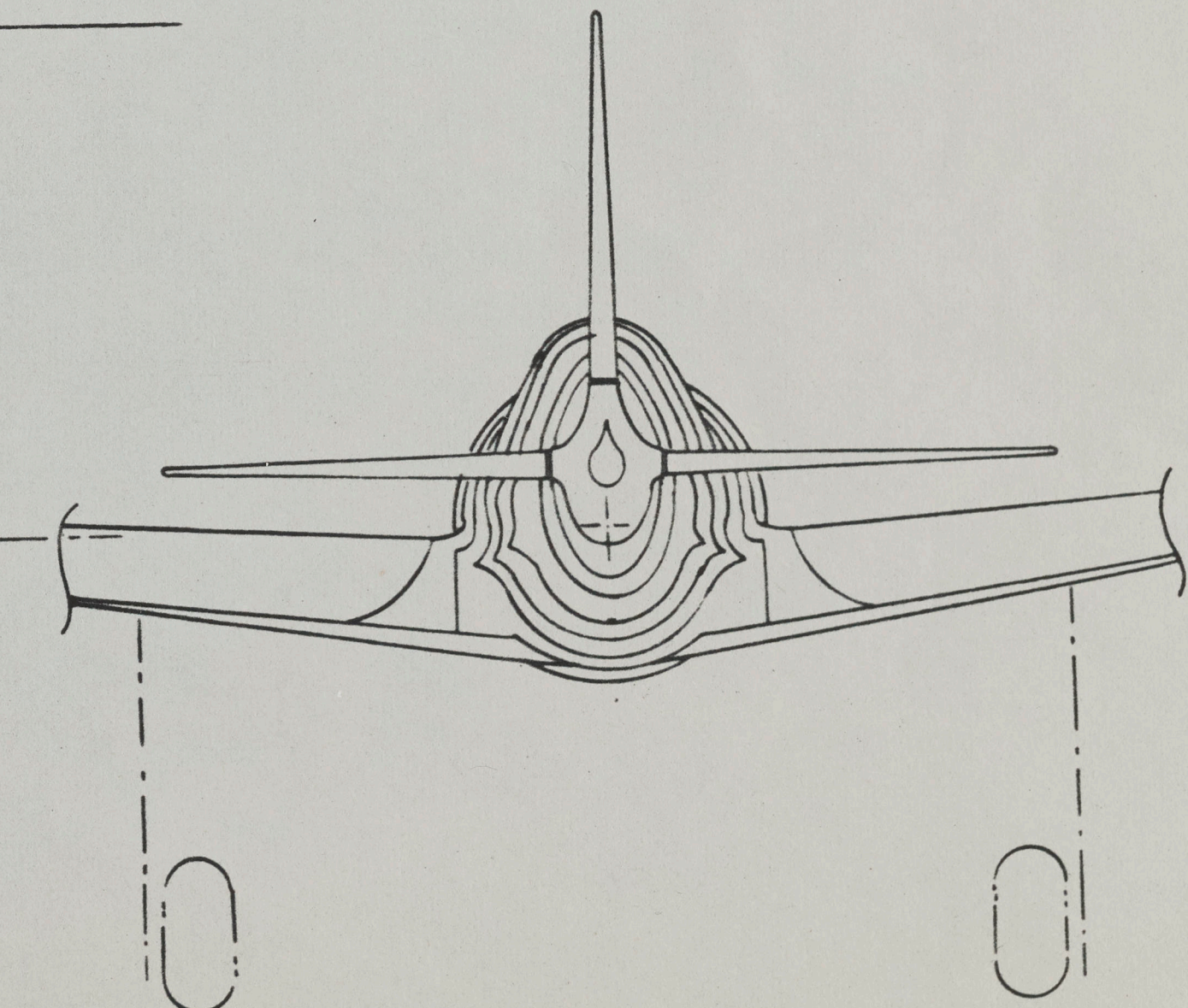
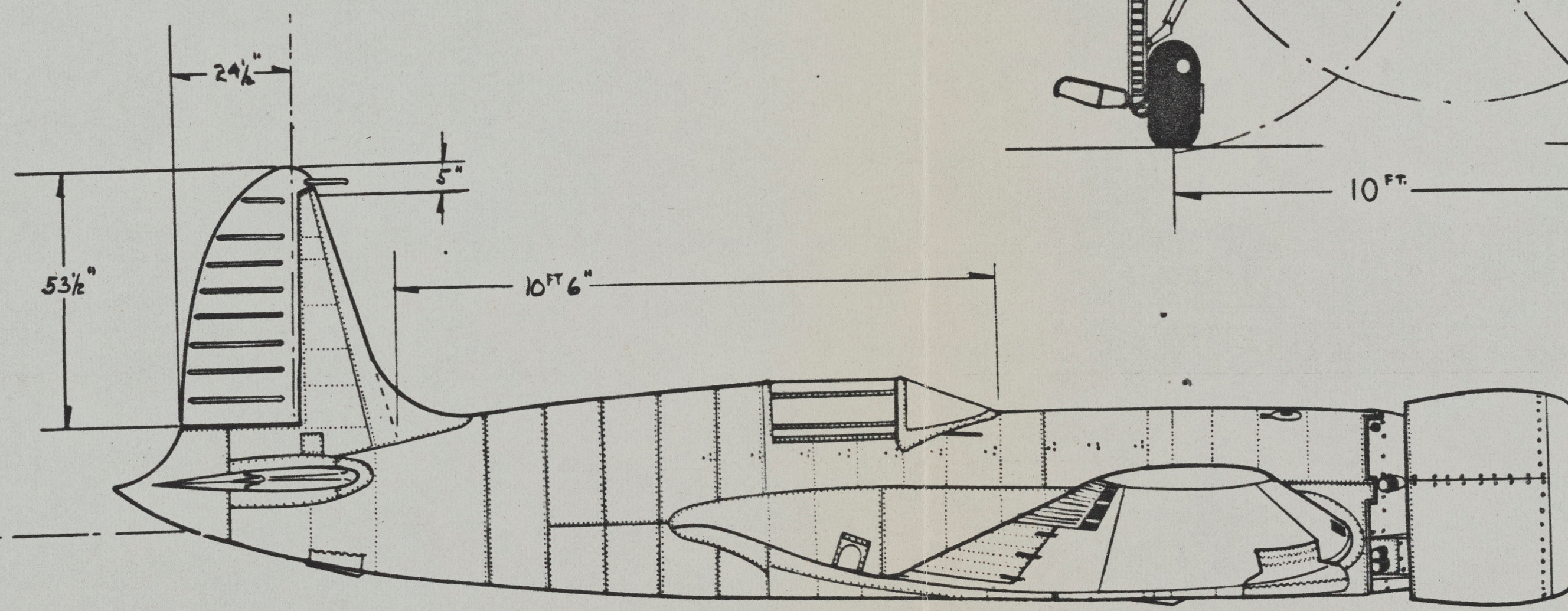
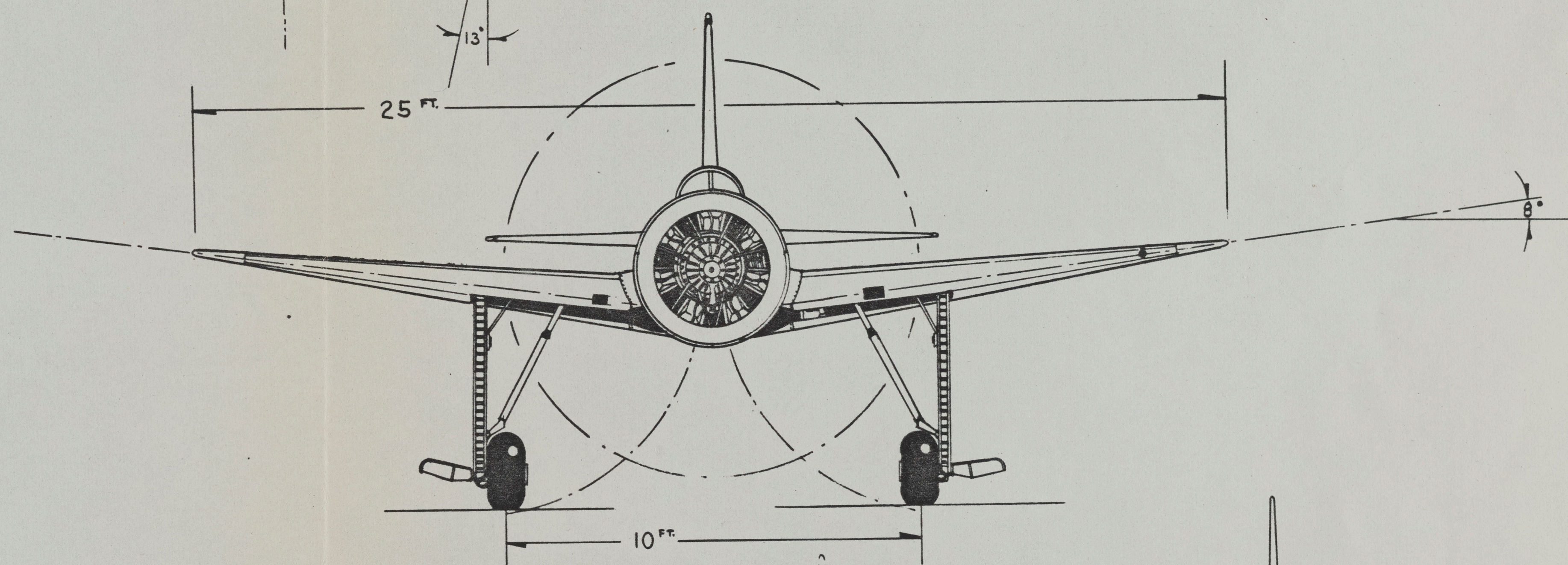


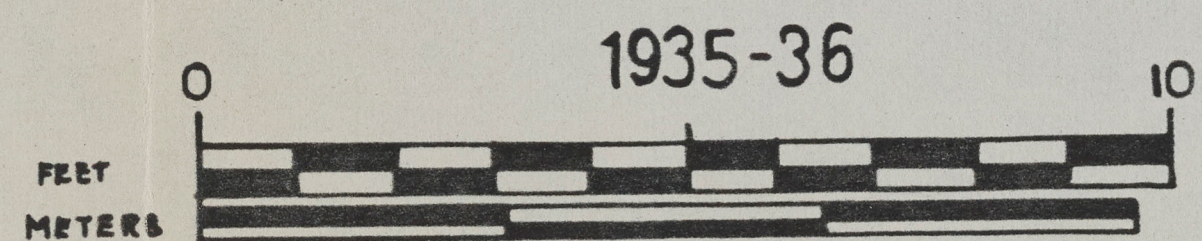
DIA 10 FT.
HAMILTON STANDARD

GROSS WT	5492 LBS
TOTAL WING AREA	188 FT ² (12.82 M ²)
HORIZONTAL TAIL AREA	29 FT ²
STABILIZER	17.8
ELEVATOR	11.4
VERTICAL TAIL AREA	11.68 FT ²
FIN	4.46
RUDDER	7.22
WING LOADING	39.8 LBS/FT ²
ASPECT RATIO	5.91
FUEL	250 GAL.
POWER LOADING	7.85 LBS/HP.
PEW R-1535	TWIN ROW JR. 1000 HP



WINGS ARE WOOD COVERED, FUSELAGE FUSH RIVETED
DURAL OF MONOCOQUE CONST. CONTROL SURFACES
FABRIC COVERED & STATIC BALANCED

COLOR DEEP MEDIUM
BLUE WINGS W/ WHITE
MARKINGS - ALUMINUM WITH
BLACK MARKINGS

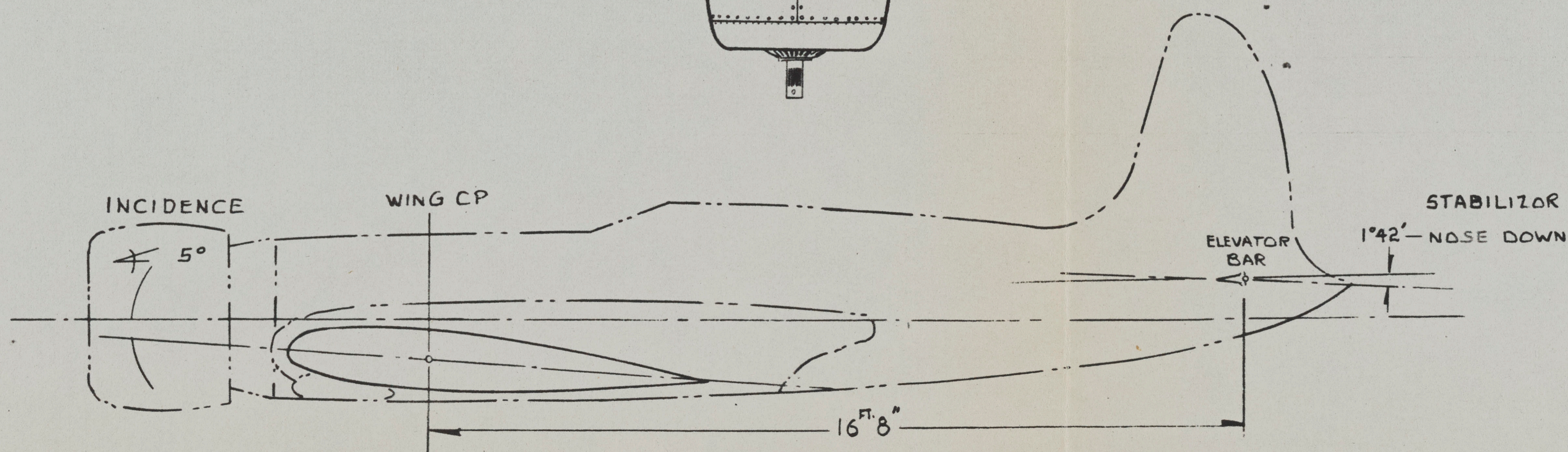
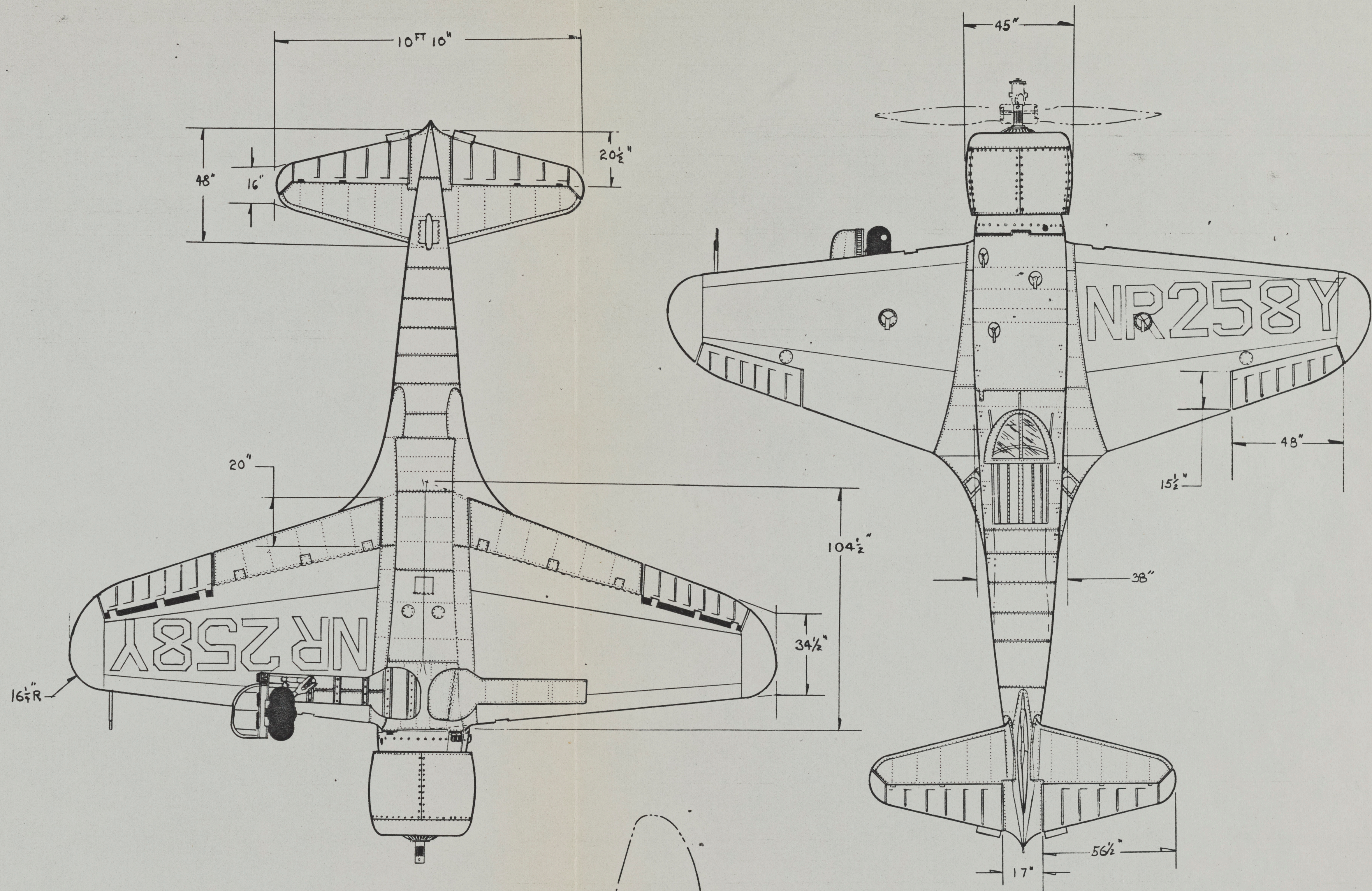


HOWARD HUGHES
SHORT H-1 WING

© 1976
RS. HIRSCH

DESIGNED BY RICHARD PALMER

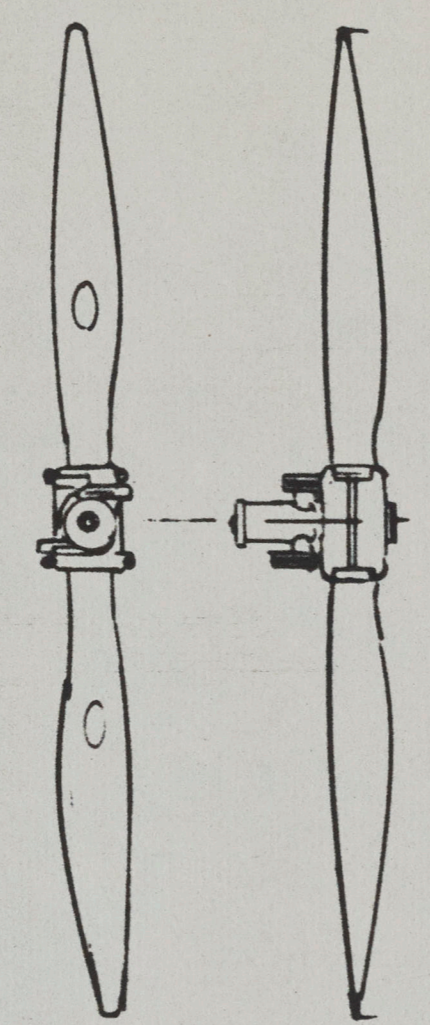
SHEET 1



HUGHES H-1

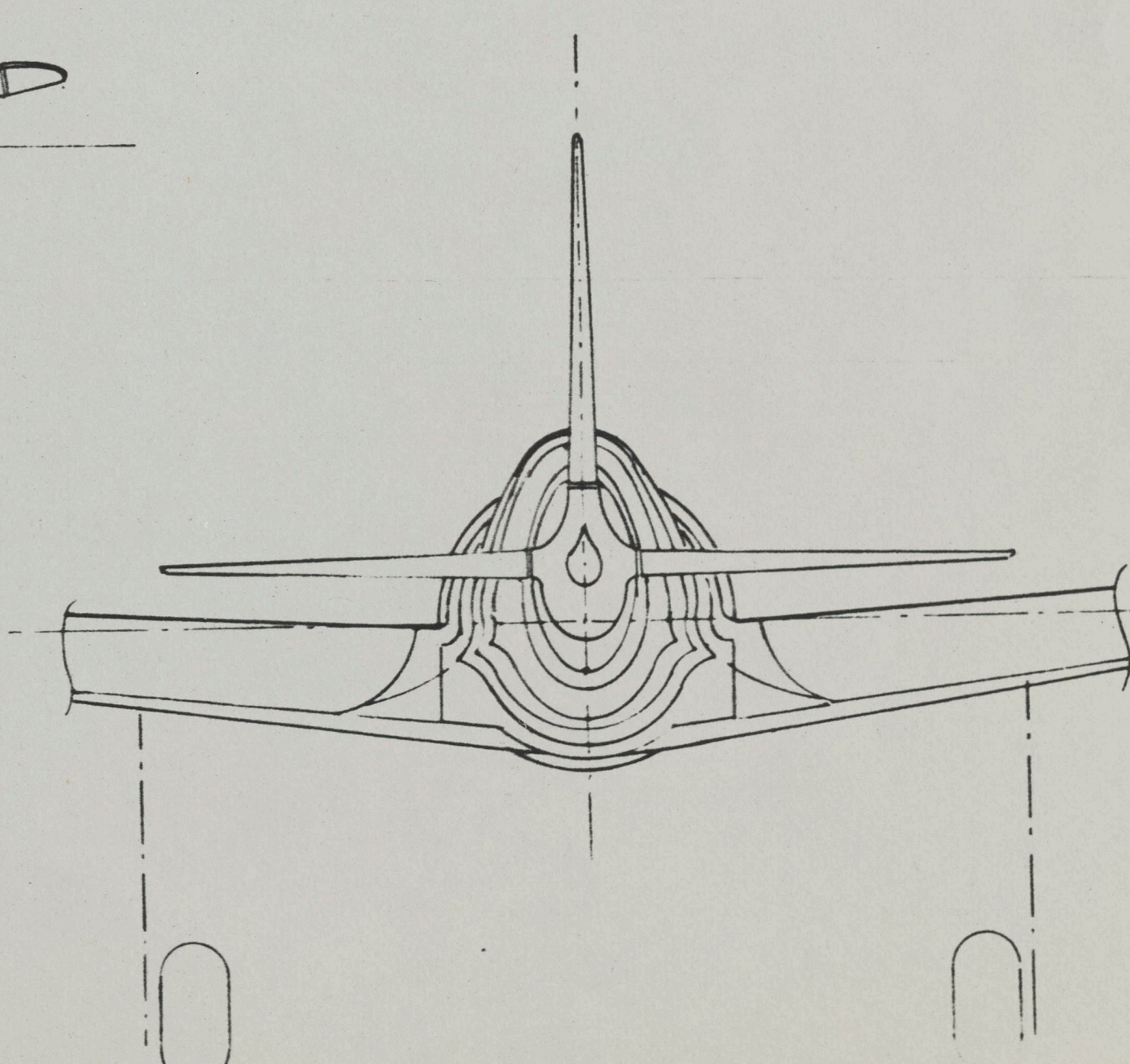
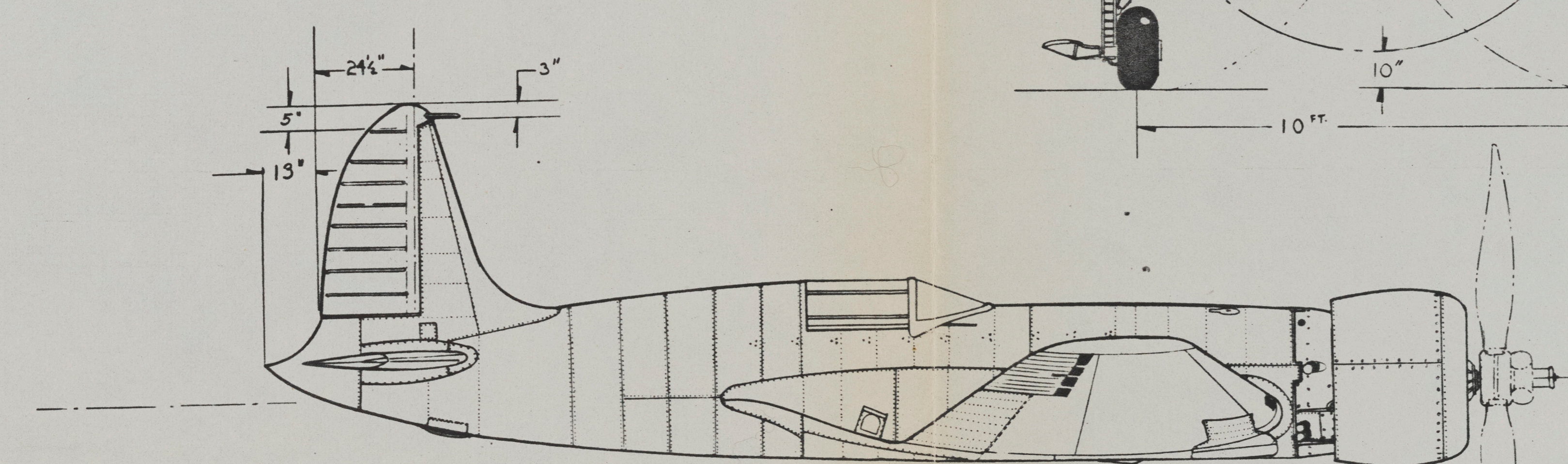
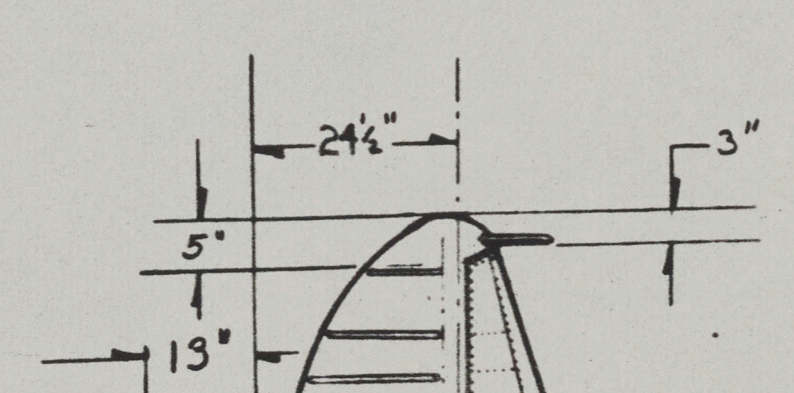
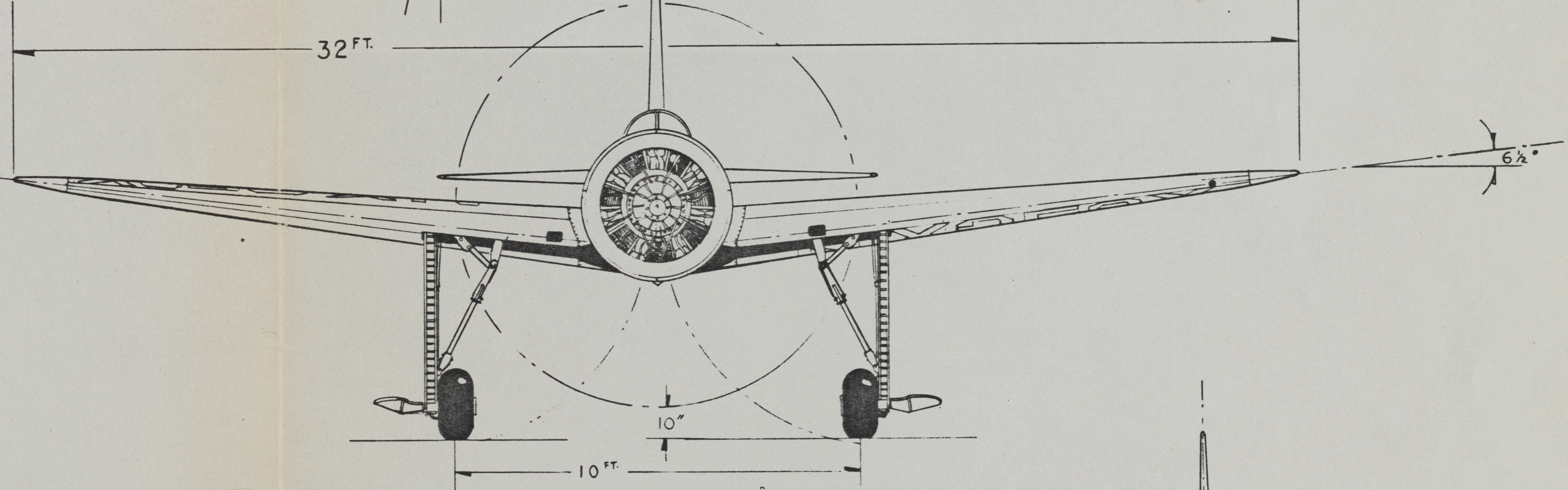
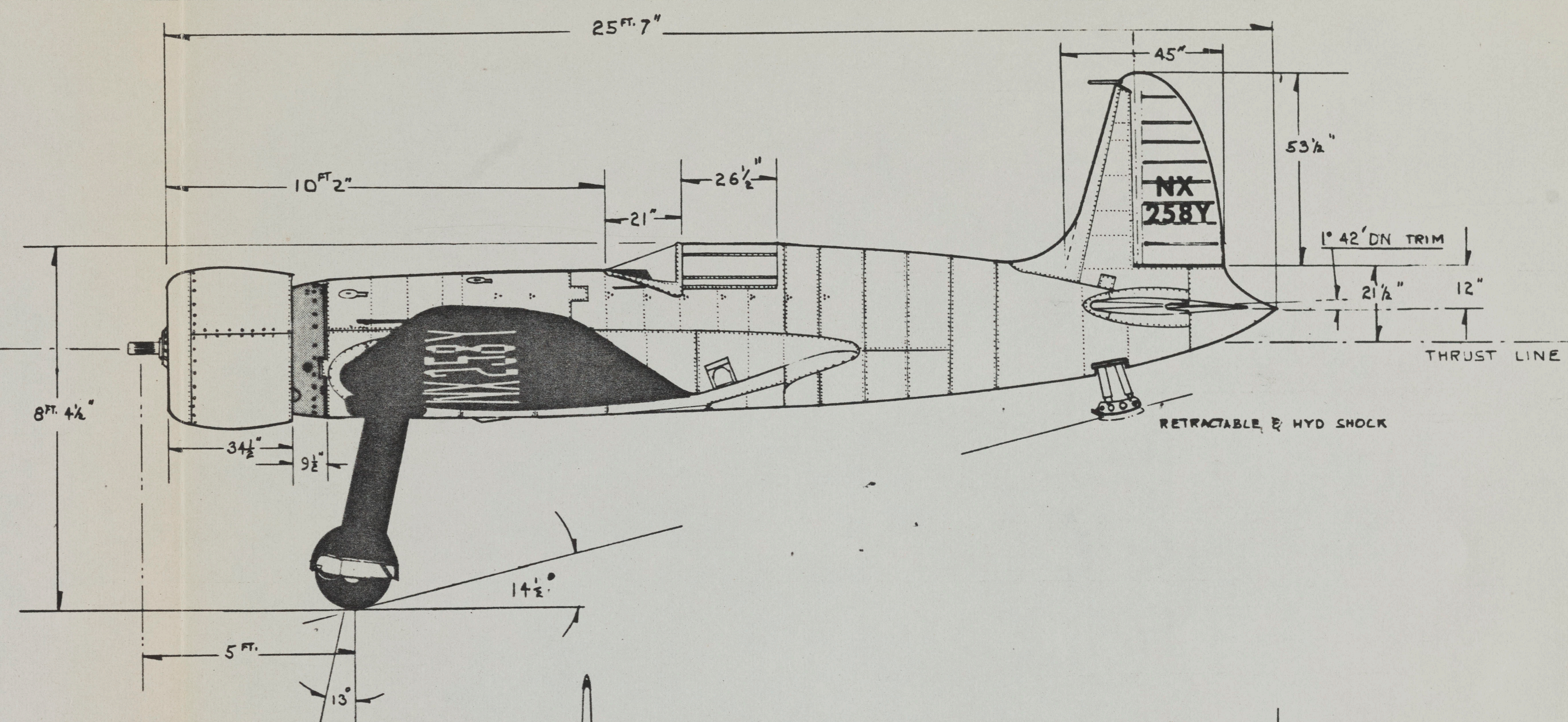
SHEET 2

© 1975
R. S. HIRSCH



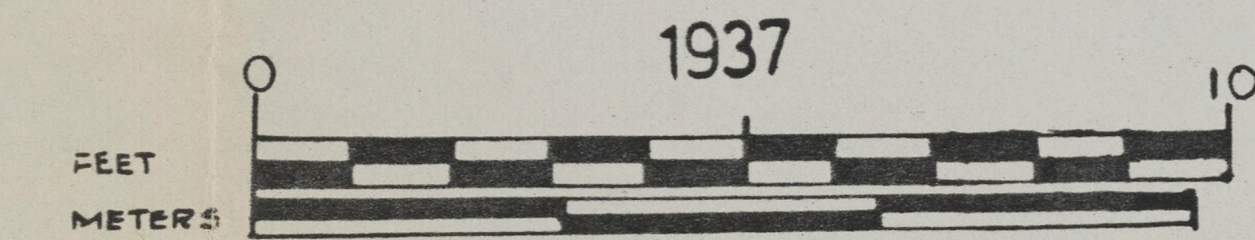
DIA. 10 FT.
HAMILTON STANDARD

GROSS WT.	6200 LBS
TOTAL WING AREA	191 FT ²
BOTH AILERONS	20 FT ²
HORIZONTAL TAIL AREA	29.2 FT ²
STABILIZER	17.8
ELEVATOR	11.4
VERTICAL TAIL AREA	11.68 FT.
FIN	4.46
RUDDER	7.22
ASPECT RATIO	6.06
AIRFOIL	NACA 23012 ROOT TO 23006 TIP
AREA BOTH FLAPS	20.5 FT ²
P&W R-1535 TWIN ROW JR.	700 HP @ 8500 FT
FUEL	338 1/2 GAL



WINGS ARE WOOD COVERED. FUSELAGE ALL METAL & FLUSH RIVETED. DURAL. CONTROL SURFACES FABRIC COVERED.

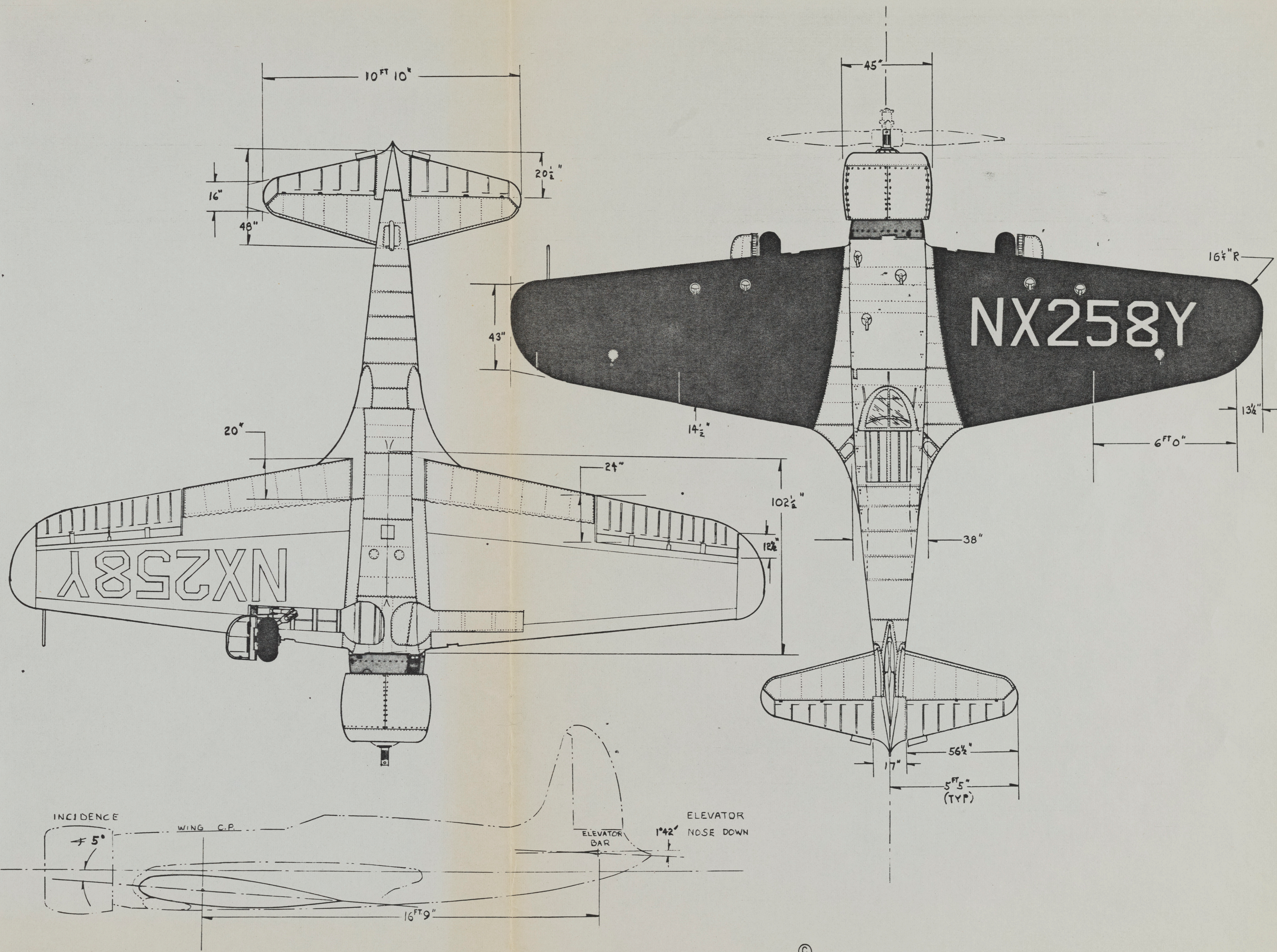
COLOR: DEEP MEDIUM BLUE WINGS WITH WHITE MARKINGS—ALUMINUM WITH BLACK MARKINGS.



HOWARD HUGHES
LONG H-1 WING

© 1976
RS. HIRSCH

DESIGNED BY RICHARD PALMER & GRAND CENTRAL AIR TERMINAL, GLENDALE CALIF



HUGHES H-1

SHEET 2

© 1976
R.S. HIRSCH